

N20/30

FF030

RF130

BLDC

1632

FF130

FF180

RF500

RF300

RF310

094

BLDC

2035

370

2418

2430

385

2838

395

30-C

32-C

40-C

32ZY13

32ZY25

520

BLDC

520

380

555

BLDC

3640

775

38S

BLDC

38S

45S

BLDC

45S

50S

BLDC

50S

60S

BLDC

60S

80S

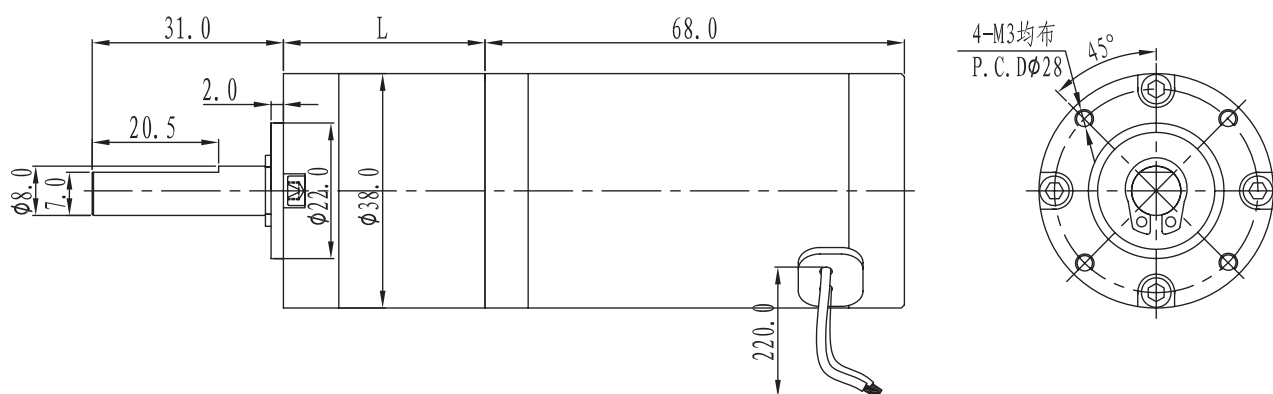
稳压器

同步
电机永磁
直流电机交流
可逆电机

ZGX38REE(A8X86)



Dimension(mm)



Specifications

DC Motor	Ratio	1/7	1/16	1/22	1/30.25	1/49	1/64	1/84.6	1/101	1/148.1	1/196	1/256	1/294	1/400	1/465	1/556	1/665	1/765	1/2141	1/2560	1/3125
ZYTD-38S-R (12V-3000R)	No load (r/min)	415	182	133	96	60	46	34	29	20	15	11.3	9.9	7.3	6.2	5.2	4.37	3.8	1.36	1.13	0.93
	On load (r/min)	350	155	112	82	51	39	30	25	18	14	10.4	9.2	6.9	6	5	4.23	3.69	1.34	1.12	0.92
	Rated torque (kgf.cm)	0.9	1.9	2.7	3.6	6	8	10	10	10	10	15	15	15	15	15	15	15	20	20	20
ZYTD-38S-R (24V-5000R)	No load (r/min)	715	315	228	165	102	78	59	50	34	26	19.6	17	12.5	10.8	9	7.53	6.55	2.34	1.96	1.6
	On load (r/min)	590	260	190	140	93	68	53	45	32	25	18.5	16.2	12.1	10.4	8.8	7.38	6.44	2.32	1.94	1.59
	Rated torque (kgf.cm)	1.7	3.5	4.7	6	6	10	10	10	10	10	15	15	15	15	15	15	15	20	20	20
Direction	电源正极接 + 端子	CCW																			

Gearbox

Reduction Ratio	L	Stages	Allowable torque	
	mm		mN.m	kgf.cm
1/7	23.7	1	196	2
1/16~1/49	32.7	2	588	6
1/64~1/196	41.7	3	980	10
1/256~1/765	50.7	4	1470	15
1/2141~1/3125	59.7	5	1960	20

★Other specification can be customized.